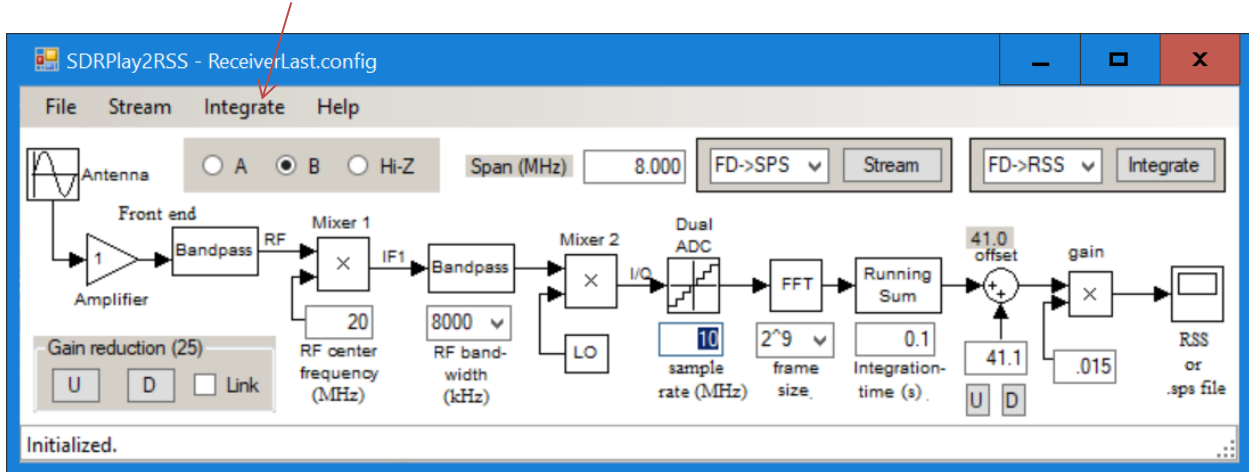


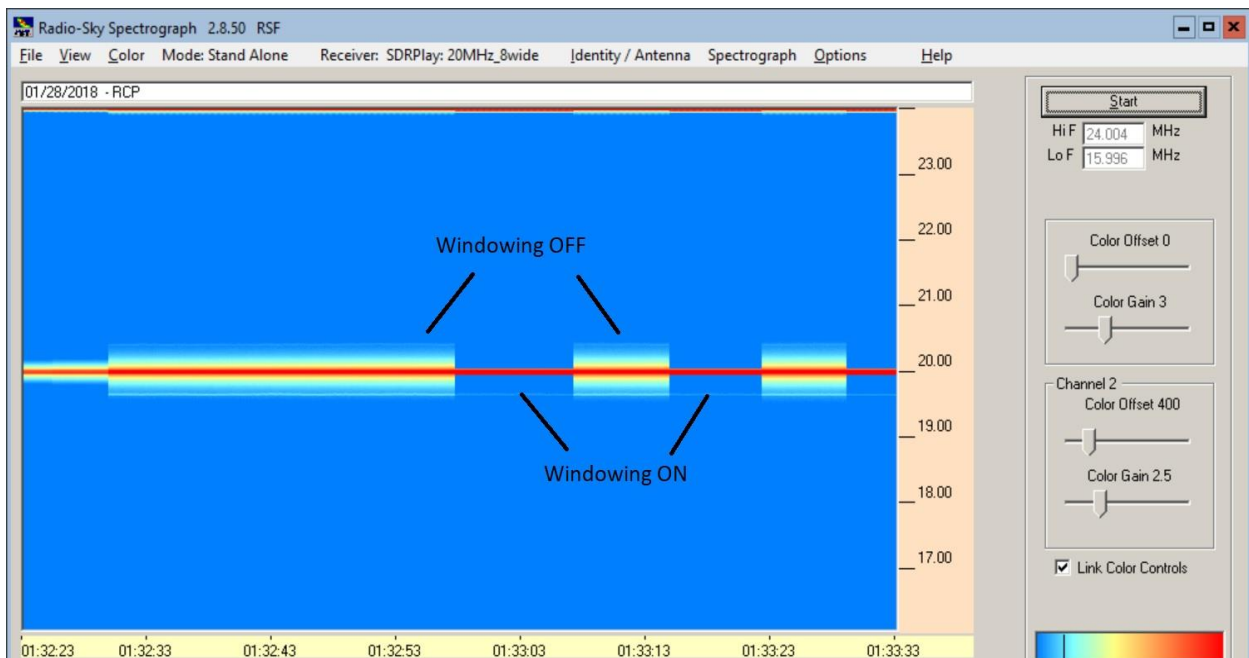
SDRPlay2RSS Windowing

The SDRPlay2RSS program has the option to use windowing. Turn windowing ON or OFF under the Integrate Menu (between Stream and Help).



The effect when windowing is turned ON is to reduce the width of strong signals.

To test this feature I fed a strong, constant amplitude, 20.000 MHz, CW signal into the SDRPlay RSP2 and toggled the windowing function on and off.



The effect is seen above. You may find it useful to use windowing in the presence of strong station interference. Nathan describes this function in his instructions and Larry Dodd has experimented with the effect also.

RF, 27 Jan 2018